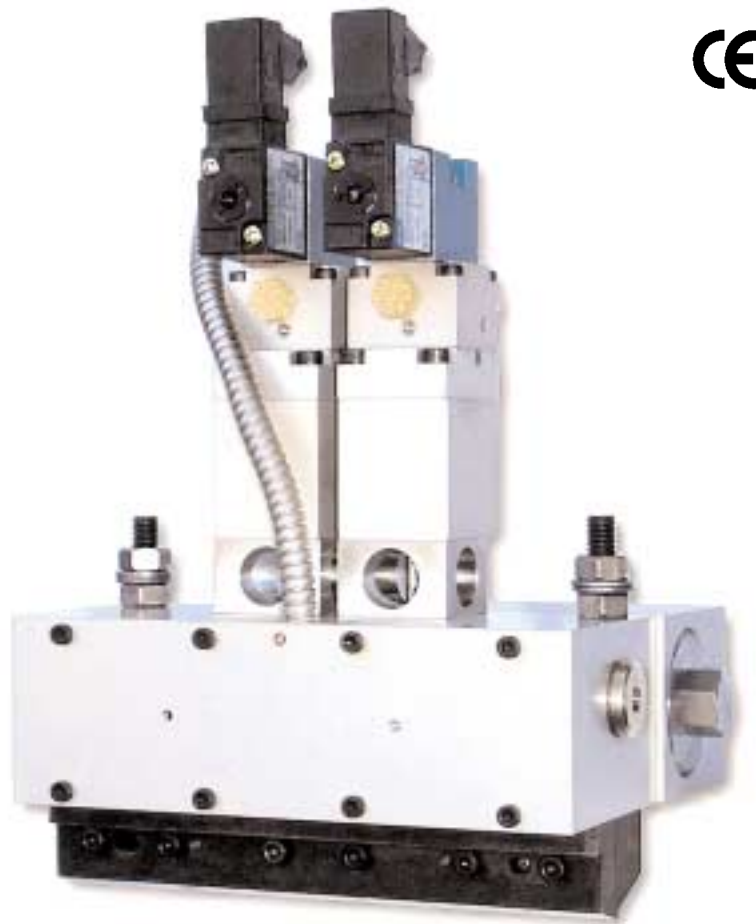


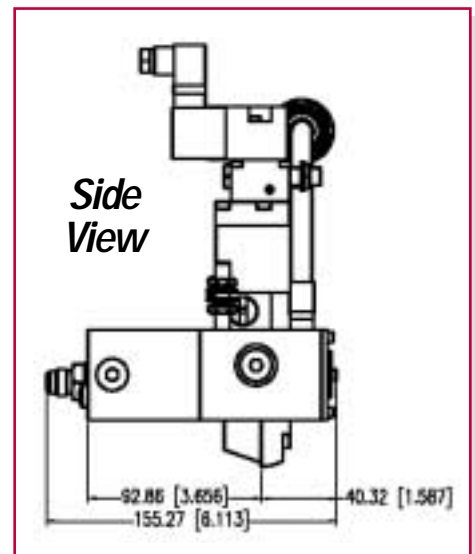
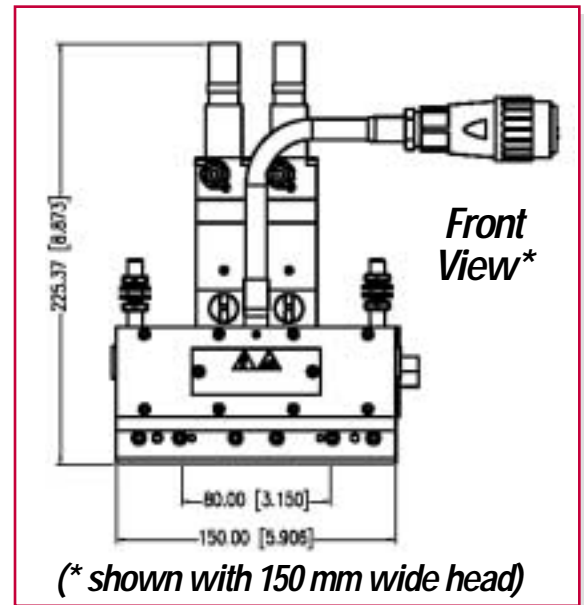
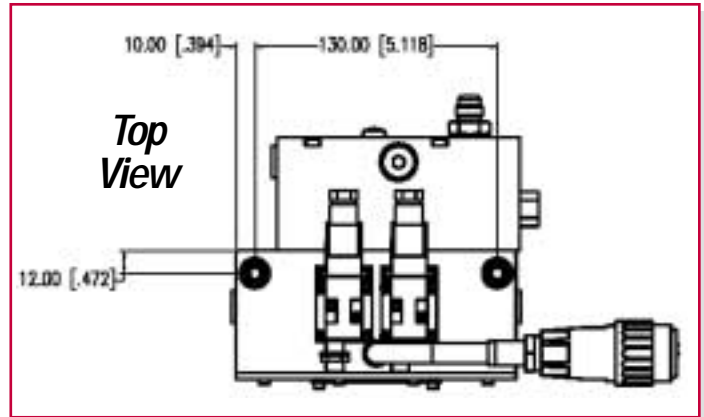
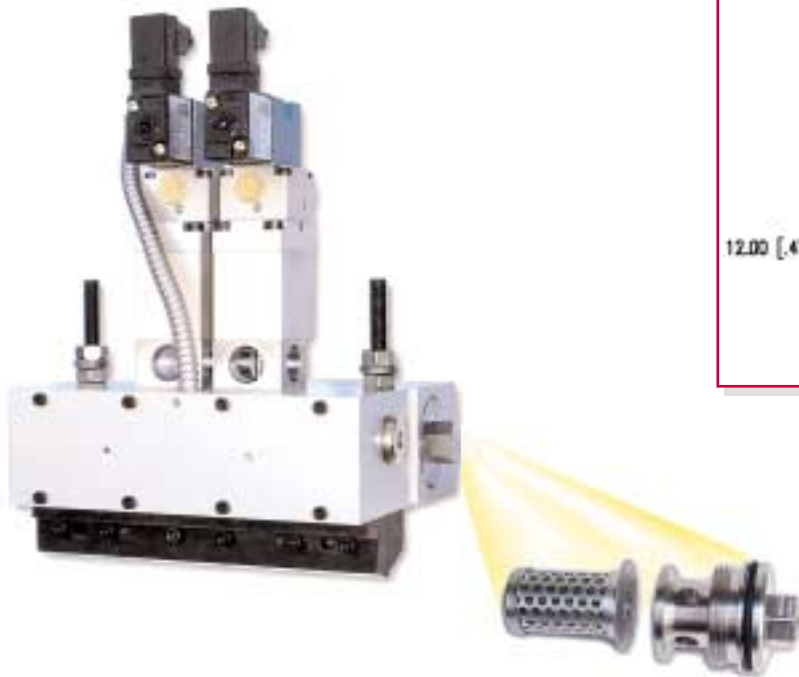
APEX™ High Speed Slot Die



The Dynatec Advantage

- *Precise high speed intermittent adhesive patterns.*
- *Self-cleaning die lips permits the use of a variety of adhesive viscosities.*
- *Exceptional value for a high speed slot die applicator.*
- *Slot die design does not require micro adjustments to achieve the required adhesive lay down weights.*
- *APEX™ SB module with recirculation provides a clean adhesive cutoff regardless of the adhesive pattern.*

APEX™ High Speed Intermittent Slot Die



- **Maximum on/off cycle speed 10,000 cycles per minute**
- **Application width up to 500 mm / 19.6 in.**
- **Adhesive viscosity 100 cps min / 20,000 cps max**
- **Maximum operating temperature 200°C / 390°F**
- **Pneumatic pressure 74 psi (5 bar) min / 125 psi (9 bar) max**
- **Adhesive pressure 100 psi (7 bar) min / 1,000 psi (68 bar) max**
- **230 VAC, 50/60 Hz, 1 phase with 24 VDC control voltage**

ITW Dynatec™

itwdynatec.com

Adhesive Application Solutions



AMERICAS
ITW Dynatec
31 Volunteer Drive
Hendersonville, TN 37075
Telephone 615-824-3634
1-800-860-6150
Fax 615-264-5248

ASIA and PACIFIC
ITW Dynatec K.K.
Daiwashinagawa Bldg.,
7-15, Konan, 3-Chome
Minato-Ku, Tokyo 108-0075 Japan
Telephone 81-3-3450-5901
Fax 81-3-3450-8405

EUROPE, AFRICA and MIDDLE EAST
ITW Dynatec GmbH
Industriestrasse 28
D-40822 Mettmann, Germany
Telephone 49-210-4915-0
Fax 49-210-491-5111
e.mail@ITWDynatec.de