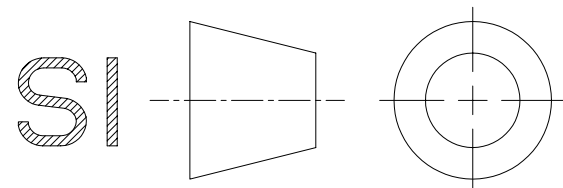
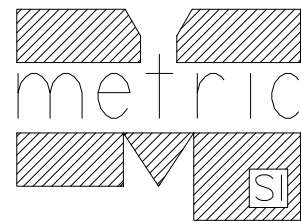
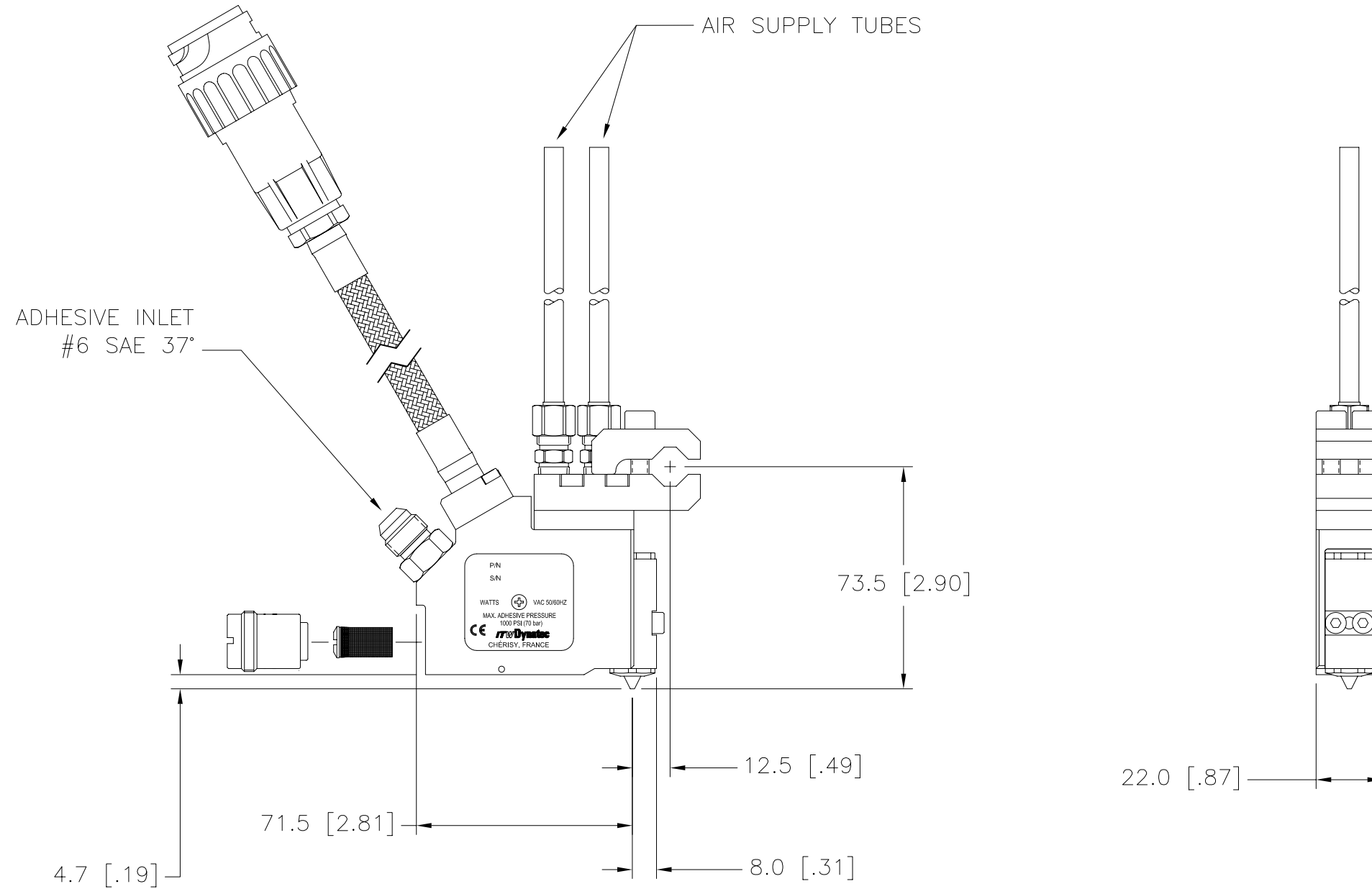


THIS DRAWING IS THE PROPERTY OF ITW/DYNATEC.
DO NOT REPRODUCE OR DISCLOSE TO
OTHERS WITHOUT EXPRESS WRITTEN
CONSENT OF ITW/DYNATEC.

DWG. NO. 110340		SH 1	REV. A		
REVISIONS					
REL.	REV.	DESCRIPTION	DATE	BY	APPROVED
N03048	A	ORIGINAL RELEASE	4.2.03	BB	



UNLESS OTHERWISE SPECIFIED DIMENSIONS ARE IN MILLIMETERS. TOLERANCES ARE: DECIMALS ANGLES .X = ±0.25 [.010] ±.5 .XX = ±0.10 [.004]	FOR MACHINING STANDARDS AND SYMBOLS, SEE ITW/DYNATEC SPEC. A05800		ITW Dynatec HENDERSONVILLE, TN	U/M EA
	USED ON	APPROVALS		DATE
NEXT ASSY.	DRAWN BB	4.2.03	DIM LAYOUT MICRO HEAD	SOURCE
DO NOT SCALE DRAWING	CHECKED			GROUP
	COMPUTER DESCRIPTION(24 CHARACTERS) LYT,DIM,MICRO HEAD	SIZE B	DWG. NO. 110340	REV. A
		SCALE 1:2	CAD DRAWING	SHEET 1 of 1